



SARIS

McAlu Pro

McAlu Comfort

Strong professional trailers



These all-rounders will never let you down!

The SARIS McAlu Pro and the SARIS McAlu Comfort are remarkable products. They are state of the art, not only in terms of their design, but most importantly in terms of their functionality. Both trailers are extremely strong.

The functionality goes hand in hand with ease of use and an eye for detail. They are even better tailored to your needs and the wide range has many accessories for professionals and individuals. This is why the SARIS McAlu Pro and SARIS McAlu Comfort are exceptionally suited to every job.





3^{*}
YEAR FULL WARRANTY!
OUR STANDARD

This is what makes the SARIS McAlu Pro and the SARIS McAlu Comfort unique:

- ✓ Optimal load space because of the lashing points concealed in the board profile
- ✓ The board profile of the Pro model has a height of 30 cm, plus tie-down rails with a height of 43 cm
The board profile of the Comfort model has a height of 35 cm and does not have tie-down rails
- ✓ Easy to clean because of the smart board profile
- ✓ A strong professional trailer
- ✓ Easily replaceable chassis
- ✓ High-quality materials
- ✓ Multifunctional because of the many accessories
- ✓ Accessories are quick to fit
- ✓ Unbraked trailers that can be convert into tipper trailers**
- ✓ Easily moveable optional rope attachment hooks in the side board profile



SARIS McAlu Comfort | MC 205 133 1350 1

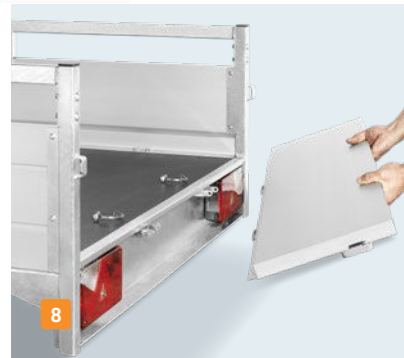
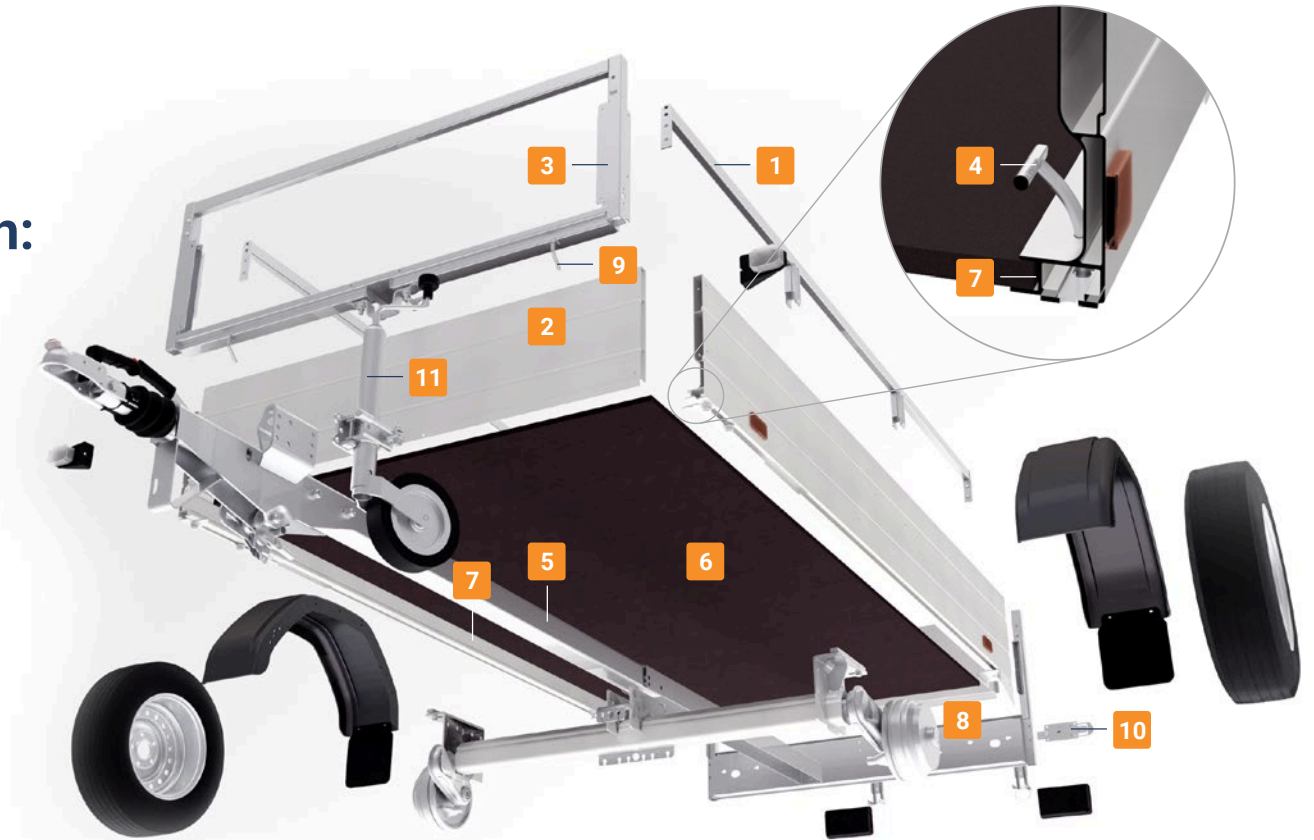
SARIS McAlu Pro | MP 255 133 1350 1

* See www.saris.net for the promotion conditions.

** does not apply to the McAlu Comfort

The SARIS McAlu Pro is fitted as standard with:

- 1 Tie-down rails
- 2 Aluminium panels
- 3 Hot-dip galvanised components
- 4 400 daN lashing points
- 5 Fully supported floor
- 6 Waterproof floor plate made from Finnish birch
- 7 Floor enclosed by frame
- 8 Detachable tailboard
- 9 Rope attachments
- 10 Lock-down overcentre fasteners
- 11 Nose wheel on braked trailers



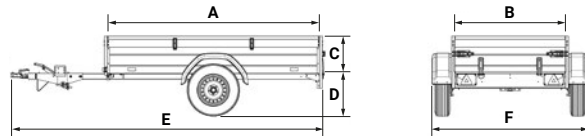
Choose the SARIS McAlu Pro that suits you best!



SARIS McAlu Pro | MP 205 133 750 1



SARIS McAlu Pro | MP 305 153 2700 2

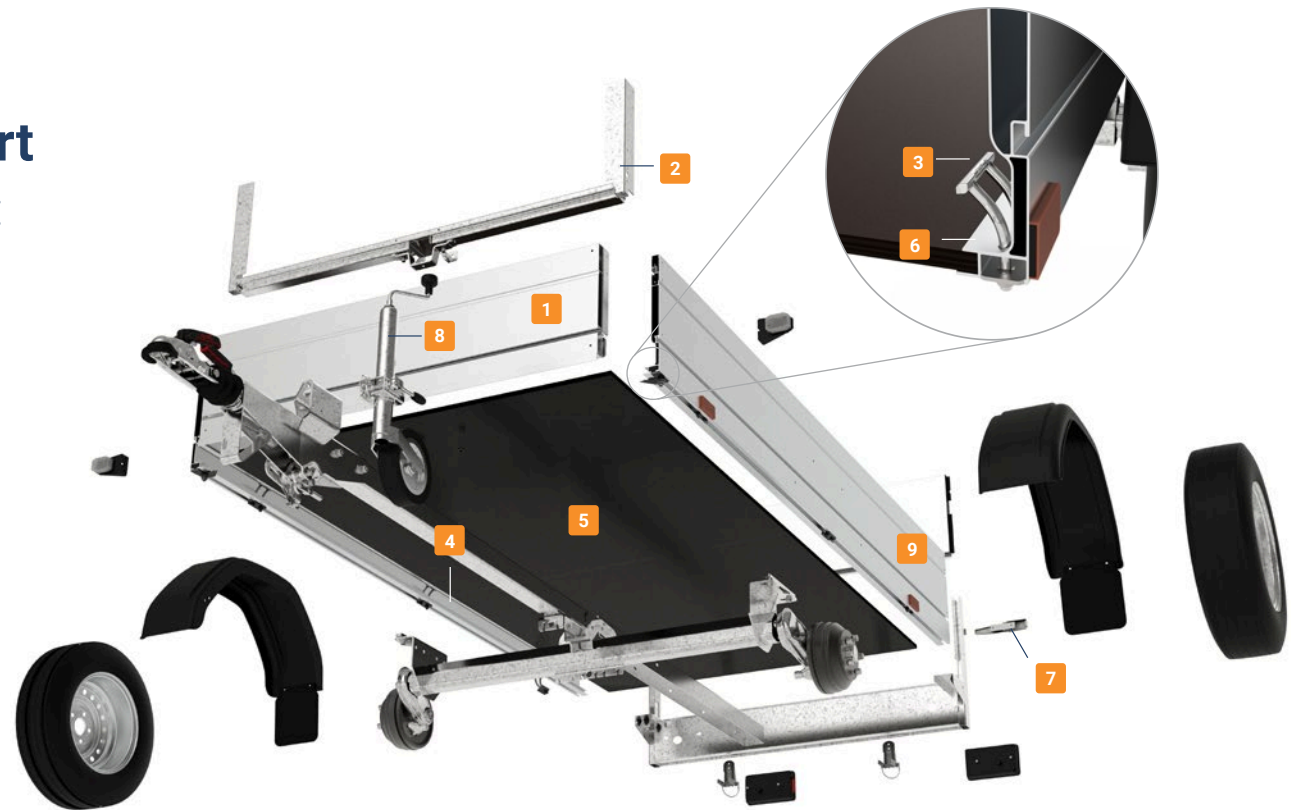


Technical information	MP 205 113 750 1	MP 205 113 1000 1	MP 205 133 750 1	MP 205 133 1350 1	MP 255 133 750 1	MP 255 133 1350 1	MP 255 133 2000 2	MP 255 153 1500 1	MP 255 153 2000 2	MP 305 153 1500 1	MP 305 153 2000 2	MP 305 153 2700 2
Length (A) (cm)	205	205	205	205	255	255	255	255	255	305	305	305
Width (W) (cm)	113	113	133	133	133	133	133	153	153	153	153	153
Height of side wall (cm)	30	30	30	30	30	30 _{No}	30	30	30	30	30	30
Height of side wall incl. tie-down rails (C)(cm)	43	43	43	43	43	43	43	43	43	43	43	43
Loading floor height (D) (cm)	51	52	51	52	51	52	51	52	51	52	51	54
Total length (E) (cm)	313	325	313	325	363	375	386	386	386	436	436	440
Total width (F) (cm)	163	163	183	183	183	187	183	207	203	207	203	203
Total weight (kg)*	750	1000	750	1350	750	1350	2000	1500	2000	1500	2000	2700
Own weight (kg)	155	195	165	220	180	235	340	285	350	305	365	400
Load capacity (kg)	595	805	585	1130	570	1115	1660	1215	1650	1195	1635	2300
Tyre size (inch)	13	13	13	14	13	14	13	14	13	14	13	14
Single/Tandem axle	Single	Single	Single	Single	Single	Single	Tandem	Single	Tandem	Single	Tandem	Tandem
T-shaped tow bar or V-shaped tow bar	T	T	T	T	T	T	V	V	V	V	V	V
Braked/Unbraked	Unbraked	Braked	Unbraked	Braked	Unbraked	Braked	Braked	Braked	Braked	Braked	Braked	Braked
Tipper functionality	Optional	No	Optional	No	Optional	No	No	No	No	No	No	No
Drive-on ramps	No	No	No	No	No	No	No	Optional	Optional	Optional	Optional	Optional

* It is also possible to reduce the overall weight of the trailer.

The SARIS McAlu Comfort is fitted as standard with:

- 1 Aluminium panels
- 2 Hot-dip galvanised components
- 3 400 daN lashing points
- 4 Fully supported floor
- 5 Waterproof floor plate made from Finnish birch
- 6 Floor enclosed by frame
- 7 Lock-down overcentre fasteners
- 8 Nose wheel on braked trailers
- 9 Integrated rail for cargo lashing



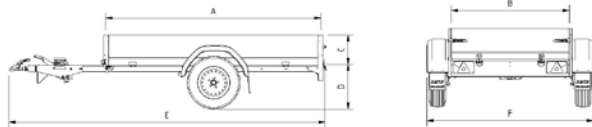
Choose the SARIS McAlu Comfort that suits you best!



SARIS McAlu Comfort | MC 205 133 1350 1



SARIS McAlu Comfort | MC 205 133 750 1

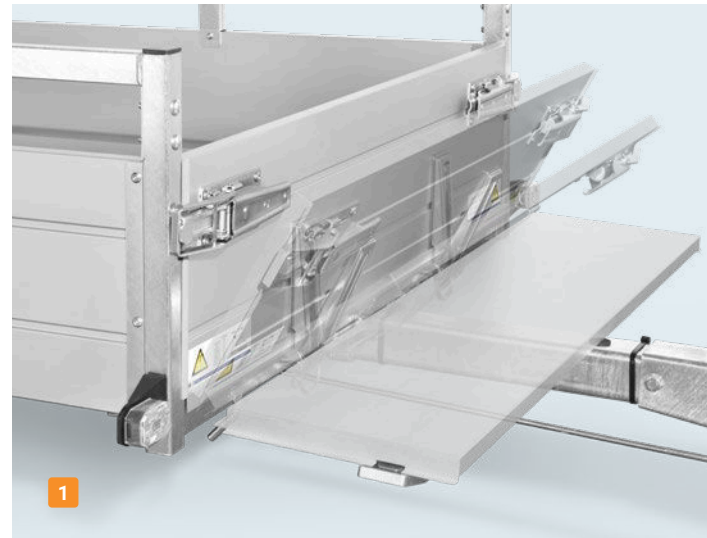


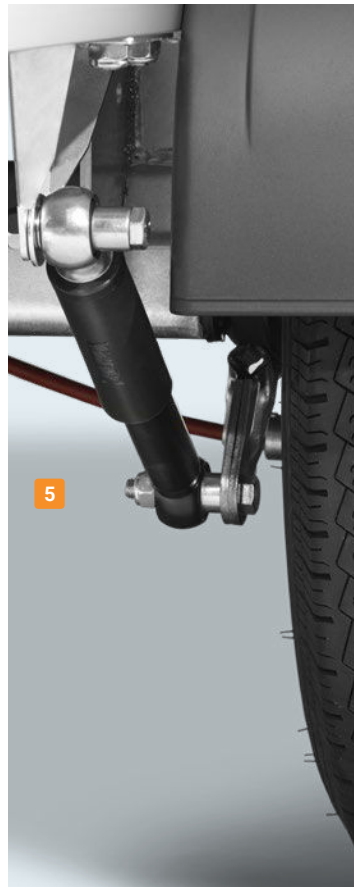
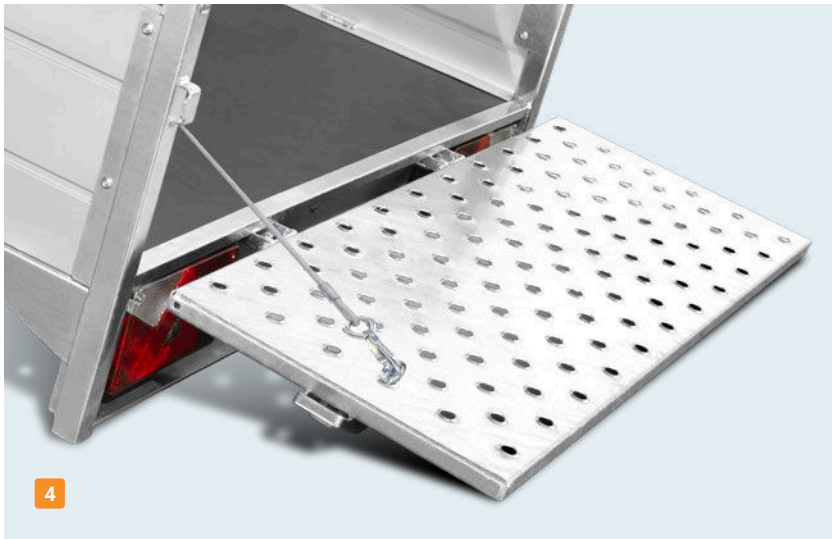
Technical information	MC 205 113 750 1	MC 205 113 1000 1	MC 205 133 750 1	MC 205 133 1350 1	MC 255 133 750 1	MC 255 133 1350 1
Length (A) (cm)	205	205	205	205	255	255
Width (W) (cm)	113	113	133	133	133	133
Height of side wall (C) (cm)	35	35	35	35	35	35
Loading floor height (D) (cm)	51	52	51	52	51	52
Total length (E) (cm)	313	325	313	325	363	375
Total width (F) (cm)	163	163	183	183	183	183
Total weight (kg)*	750	1000	750	1350	750	1350
Own weight (kg)	142	184	151	207	165	222
Load capacity (kg)	608	816	599	1143	585	1128
Tyre size (inch)	13	13	13	14	13	14
Single/Tandem axle	Single	Single	Single	Single	Single	Single
T-shaped tow bar or V-shaped tow bar	T	T	T	T	T	T
Braked/Unbraked	Unbraked	Braked	Unbraked	Braked	Unbraked	Braked

* It is also possible to reduce the overall weight of the trailer.

Options*

- 1 Hinged front panel (not available with tipper functionality)**
- 2 Tipping functionality**
- 3 Gas springs for Tipping (with tipper functionality)**
- 4 Drive-on ramp (with tipper functionality)**
- 5 Shock absorbers
- 6 Prepared for drive-on ramps
- 7 Integrated drive-on ramps (1000 kg/item)**
- 8 Black Edition (black wheels, black sides)***



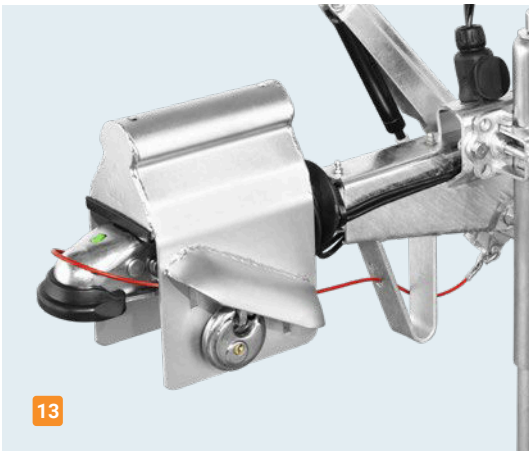
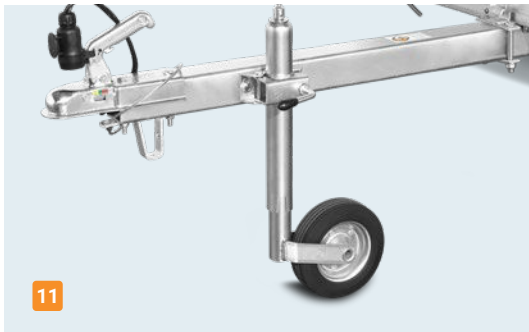
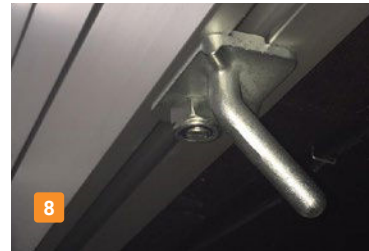
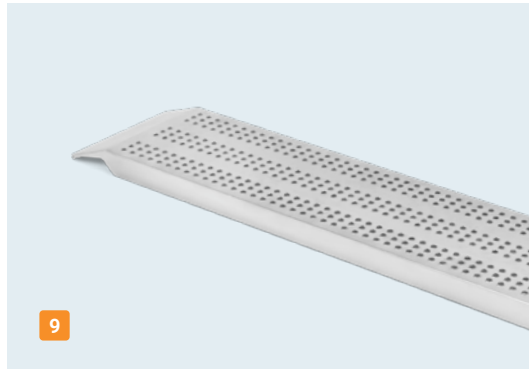


If you want to assemble your own custom trailer, visit www.saris.net

Accessories*

- 1 High rack
- 2 Light-grey tarpaulin cover
- 3 Light-grey cover (comes in a variety of colours)
- 4 Mesh cage (50 cm)
- 5 Mesh cage net (fine mesh)
- 6 Trailer net (large mesh)
- 7 Tensioning straps (2 straps)
- 8 Rope attachments (4 attachments)
- 9 Drive-on ramps (1000 kg/ramp) **
- 10 Spare wheel plus mount
- 11 Nose wheel plus clamp
- 12 Prop stands (set)
- 13 Anti-theft lock





→ How to keep your trailer in tip-top condition?
Read more about our Service & Guarantee
on www.saris.net



Works for you



Commitment

Commitment

Our entire trailer production process is characterised by commitment. We work continuously on improving our trailers, based on experience, expertise and craftsmanship. Reliable products made by a reliable company. This has been our culture for more than 60 years and it produces top quality and clear agreements with customers and suppliers.

Cooperation

Cooperation

SARIS builds trailers and works on long-term relationships with suppliers, dealers and end users. We have confidence in our business contacts and listen to them. This cooperation produces innovative products, with which we help our partners to be successful. Customers and dealers are of central importance at SARIS and they can always depend on the best service and quality.

Craftsmanship

Craftsmanship

SARIS trailers are manufactured by craftsmen, for craftsmen. The foundation for this is a well-thought-out design, with a keen eye for detail and design. We use only the best materials and make quality products in accordance with certified processes. A SARIS trailer is built for you to move mountains.

Your SARIS dealer:



WWW.SARIS.NET

 Works for you since 1959

Subject to changes and printing errors 15-09-2022.
Images may depict options and accessories.